

HoverCam[®]

Nillo 100



Quick Start Guide

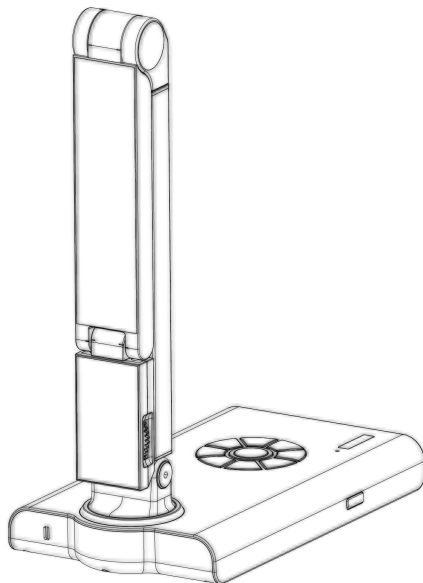
Welcome

The Nillo 100 is the world's first truly-intelligent, Android-powered document camera that allows you to:

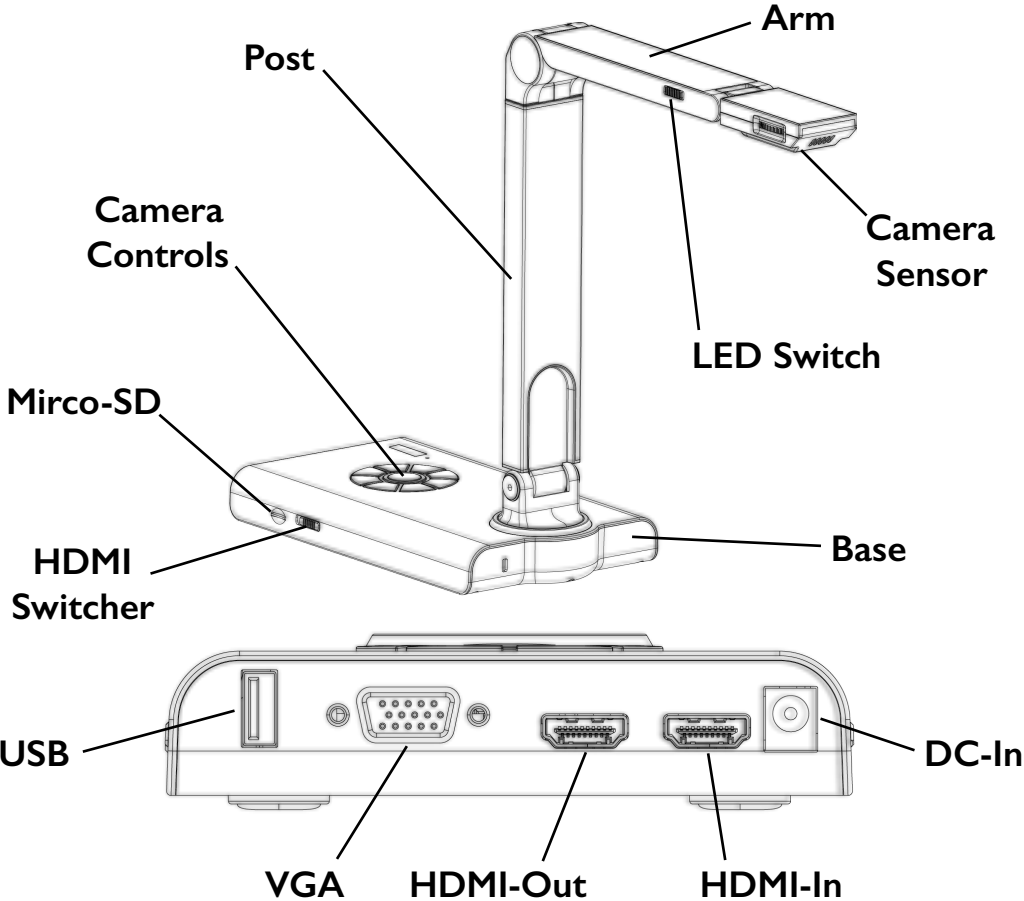
- Record lessons and view documents in full-motion HD
- Stream and upload lessons instantly to the cloud
- Connect wirelessly to Chromebook, iPad, Android tablet, PC and Mac
- And more!

What's in the box:

1. Nillo 100 Document Camera
2. DC Power Adapter
3. Wired Mouse
4. USB Cable
5. HDMI Cable
6. Document Positioning Mat
7. Warranty Registration Card

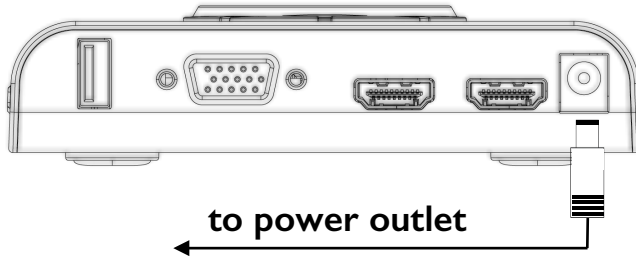


Getting to know the Nillo 100

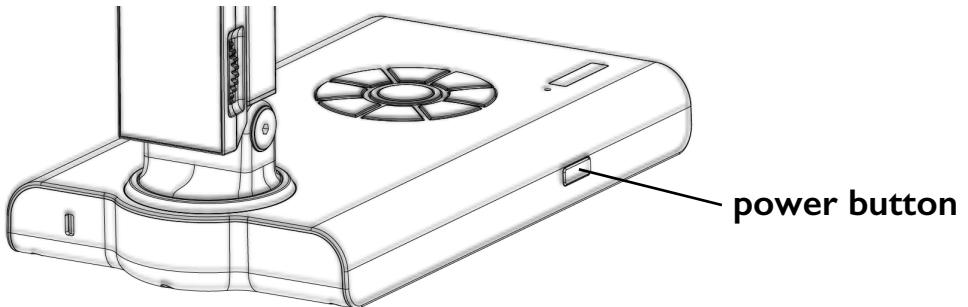


I. Powering On

To power on the Nillo 100, first plug the included DC power adapter into an available power outlet, and plug the the cord into the Nillo's DC power in.

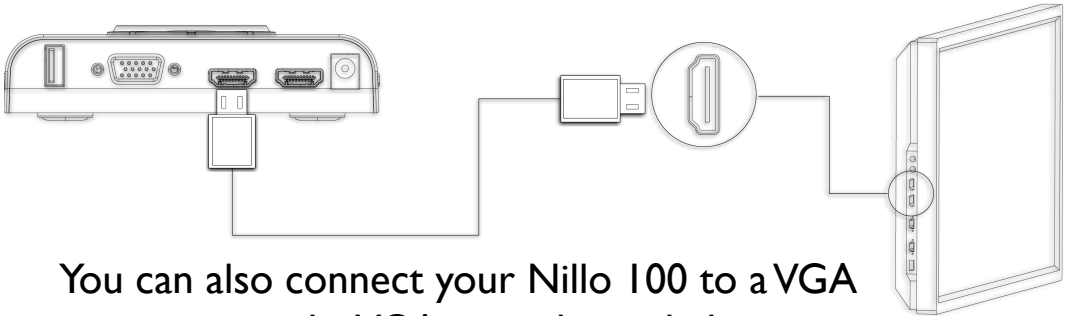


Next, press and hold the power button for five seconds. Boot-up time is approximately 60 seconds.

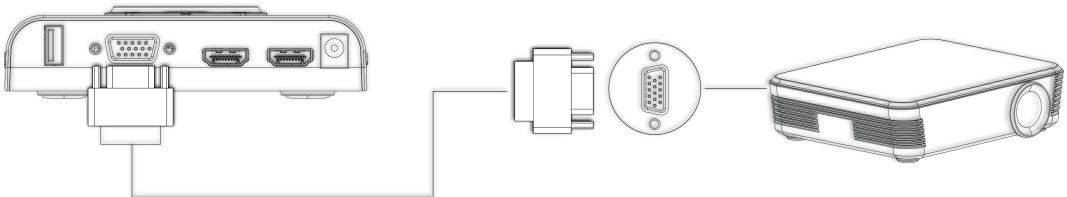


2. Connecting to a Display

To connect your Nillo 100 unit with HDMI, simply insert an HDMI cable to the HDMI-Out port on your Nillo 100 and the display you wish to use. Make sure the HDMI Switch is set to “OUT”



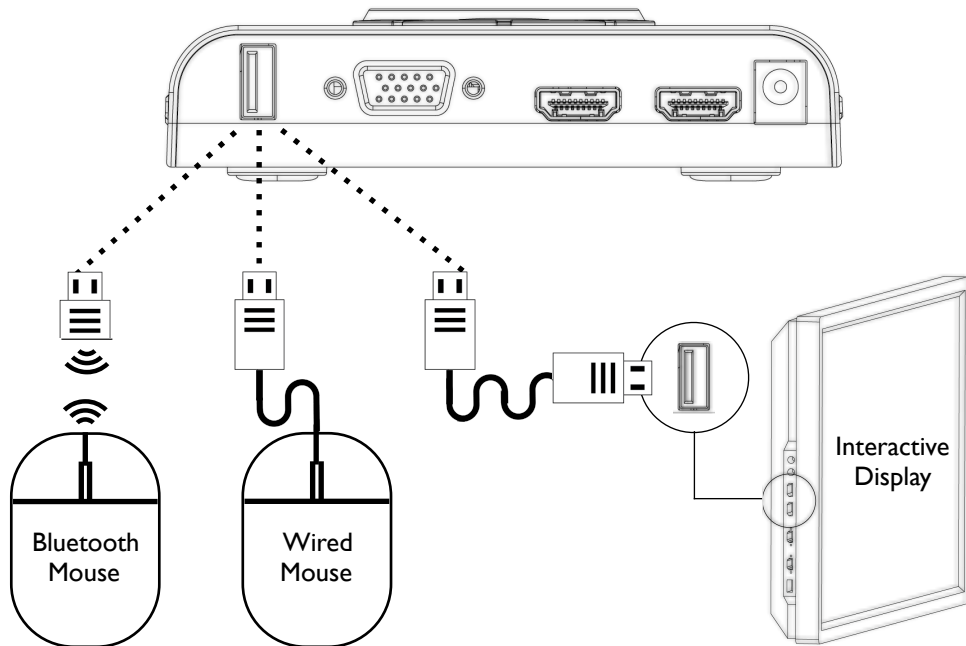
You can also connect your Nillo 100 to a VGA projector, via the VGA port shown below:



(For wireless connectivity, skip to step 7)

3. Navigating the Nillo 100

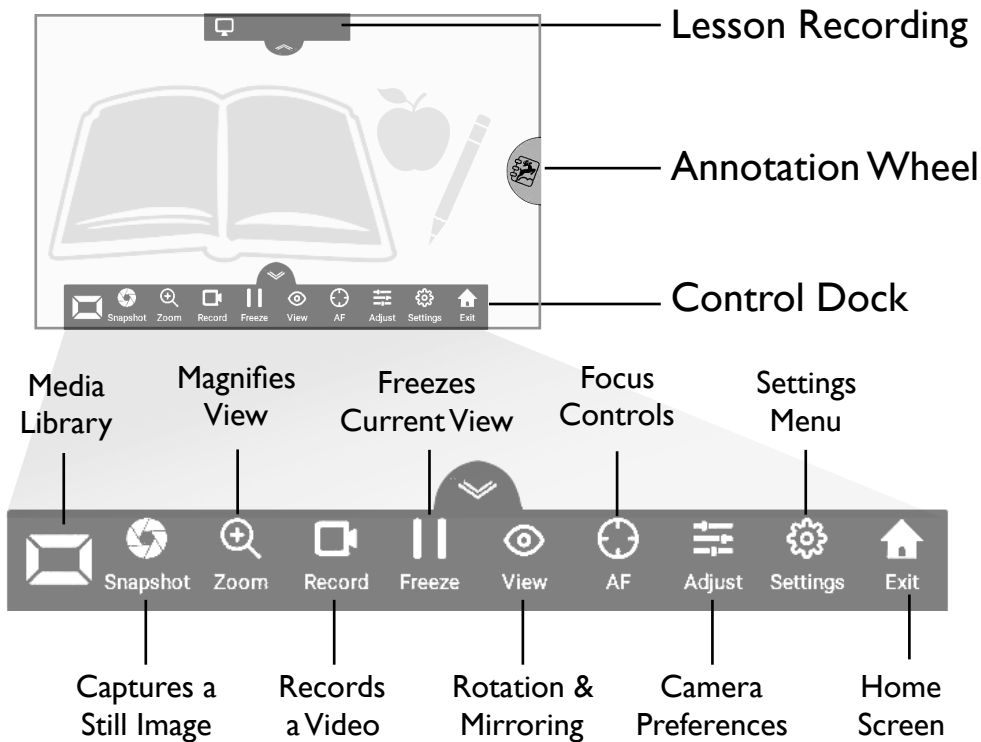
The Nillo 100 can be operated with a wired USB mouse (included), a bluetooth mouse, or a USB Touch-enabled display. Simply insert your wired mouse, wireless dongle, or touch USB cable into the USB port to navigate your device.



4. Operating the Software

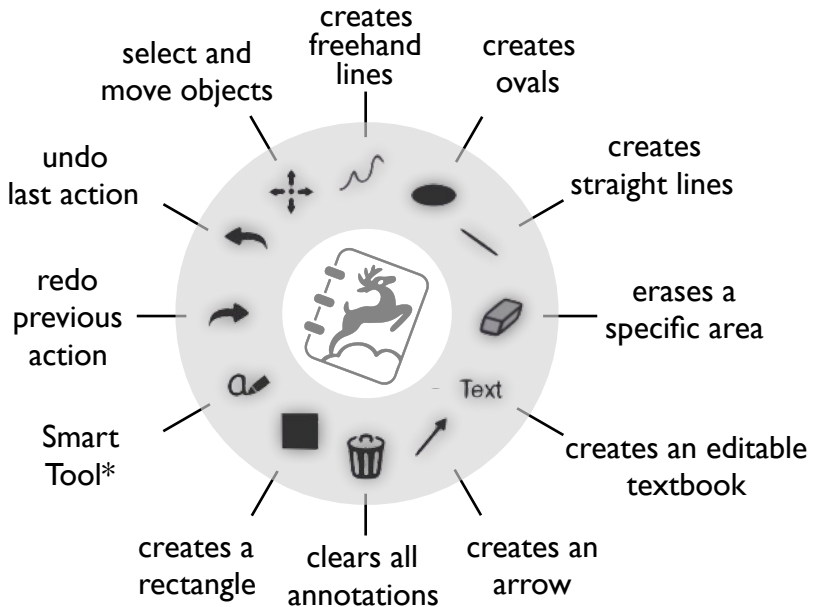
Before operating the Nillo 100, make sure you have the most up-to-date software (Step 7)

The main document camera application provides access to the Nillo 100's camera features and controls:



5. Annotating

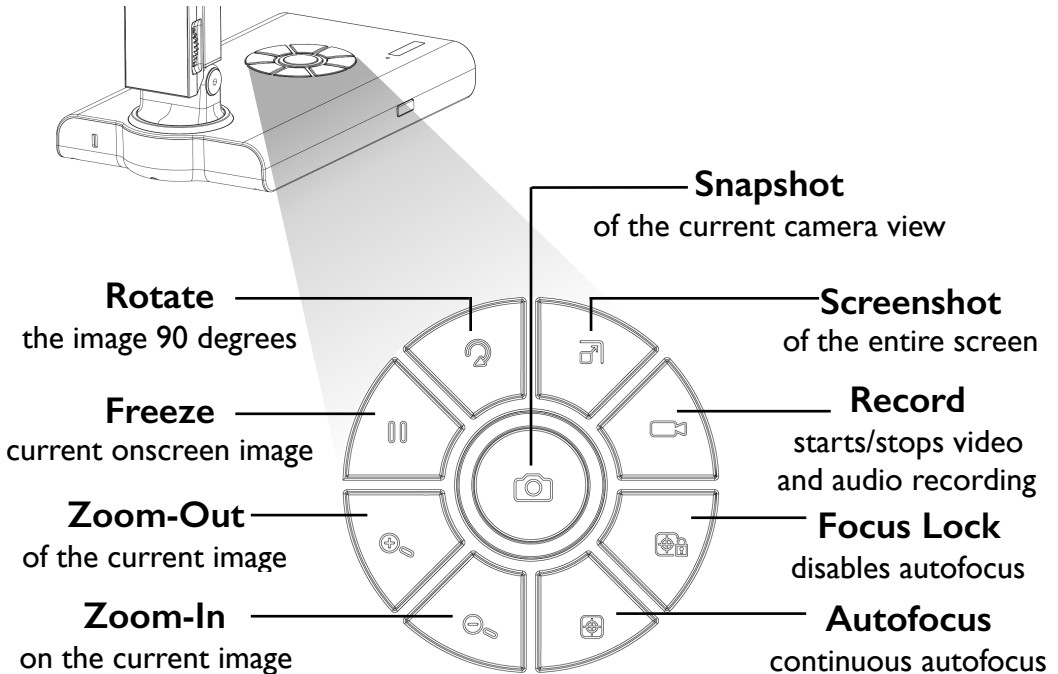
The software also includes a pull-out **Annotation Wheel** (located on the right side of the screen) with the several functions. To adjust color, thickness and transparency of annotations, simply double click on the function's icon.



*The Smart Tool automatically recognizes hand-drawn text, numbers, and objects, and digitizes them into interactive functions.

6. Controlling Camera Functions

For added convenience, the following camera controls can also be accessed via the control wheel located on the base of the Nillo 100:

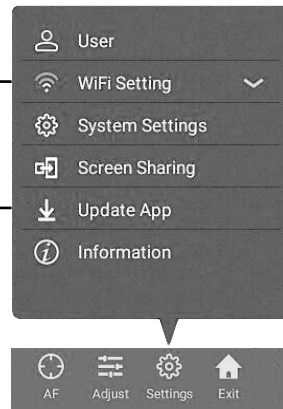


7. Wireless Connectivity

To use the Nillo's wireless capabilities, you'll first need to connect to a WiFi network. Find **WiFi Settings** under the "Settings" tab located on the control dock, select the appropriate network, and enter the necessary security information.

Once you have successfully connected to WiFi, be sure you update your Nillo 100 to the latest software by selecting **Update App***

To use the **Lesson Recording** feature to upload lessons to the cloud, you'll first need to login to your KnoteSter account. Select the **User** menu item to enter your KnoteSter email address and password, or create an account by selecting "register"



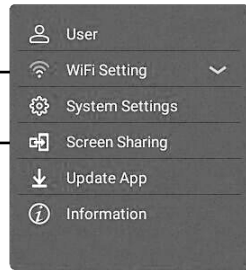
*You may have to update more than once for the latest document camera software

8. Screen Sharing and Wireless Control

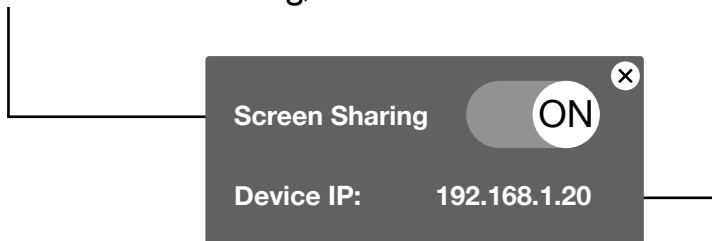
The Nillo 100 features **DashTop**, an application that allows users to remotely view, annotate, and control the Nillo 100's document camera application from a mobile device application or a computer's internet browser.

To get started, first make sure both the Nillo 100 and screen sharing device are on the same wireless network. (see Step 7)

Next, select the **Screen Sharing** option from the "Settings" tab located on the control dock.

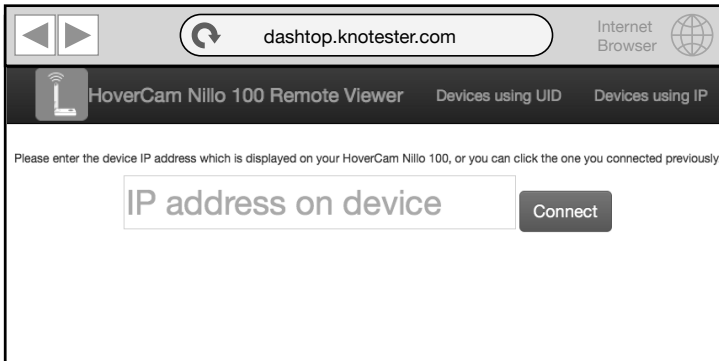


Once the Screen Sharing menu comes up, use the slider to **turn-on** Screen Sharing, and take note of the **Device IP**.



9. Screen Sharing and Wireless Control (Cont.)

To wirelessly connect with a computer, open your internet browser and access dashtop.knotester.com and enter the **Device IP**. To wirelessly connect with a mobile device, download the DashTop app from the iOS or Google Play app stores and enter the **Device IP**.



Need assistance? Visit our website at www.thehovercam.com the complete Nillo 100 user manual, or contact us:

HoverCam Technical Support
support@thehovercam.com / (866)-201-2056