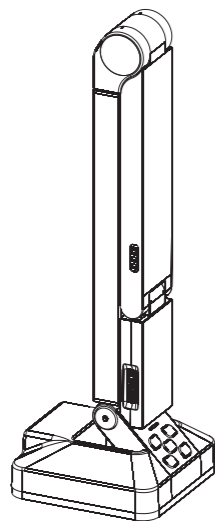
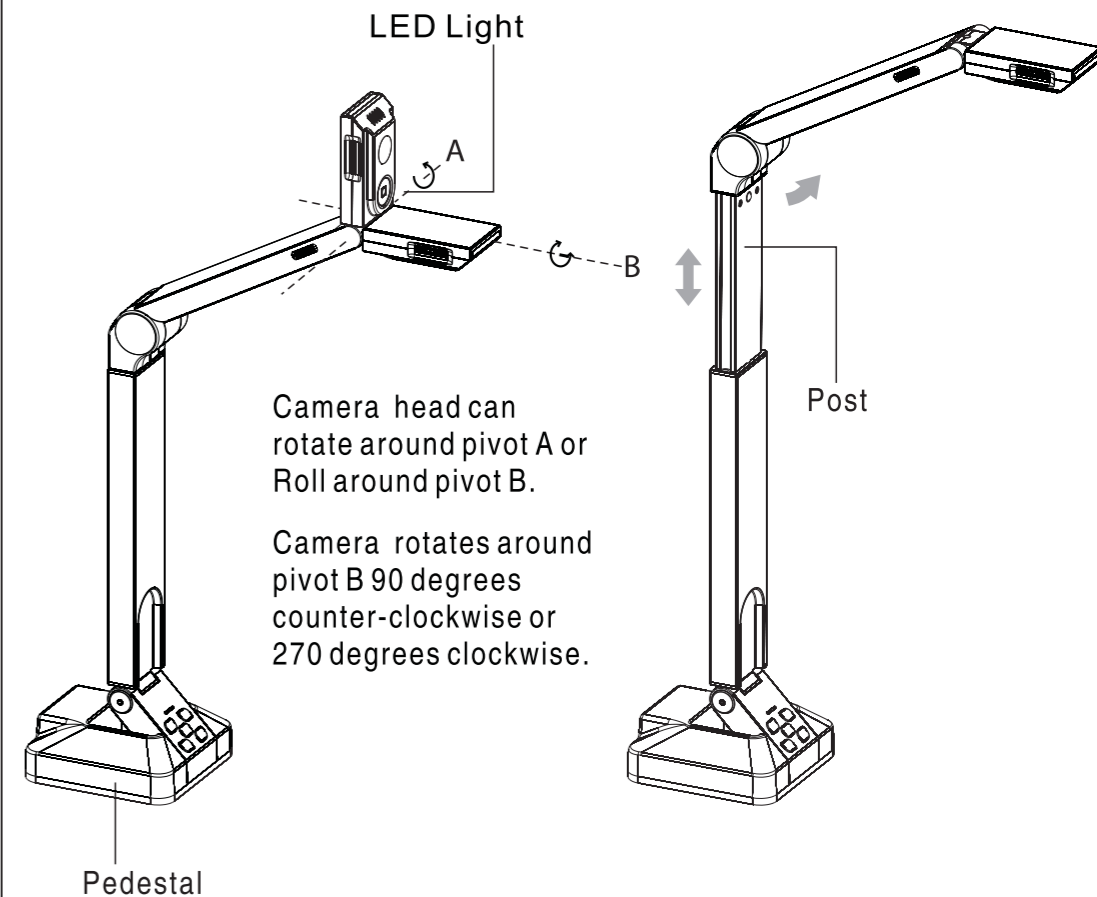
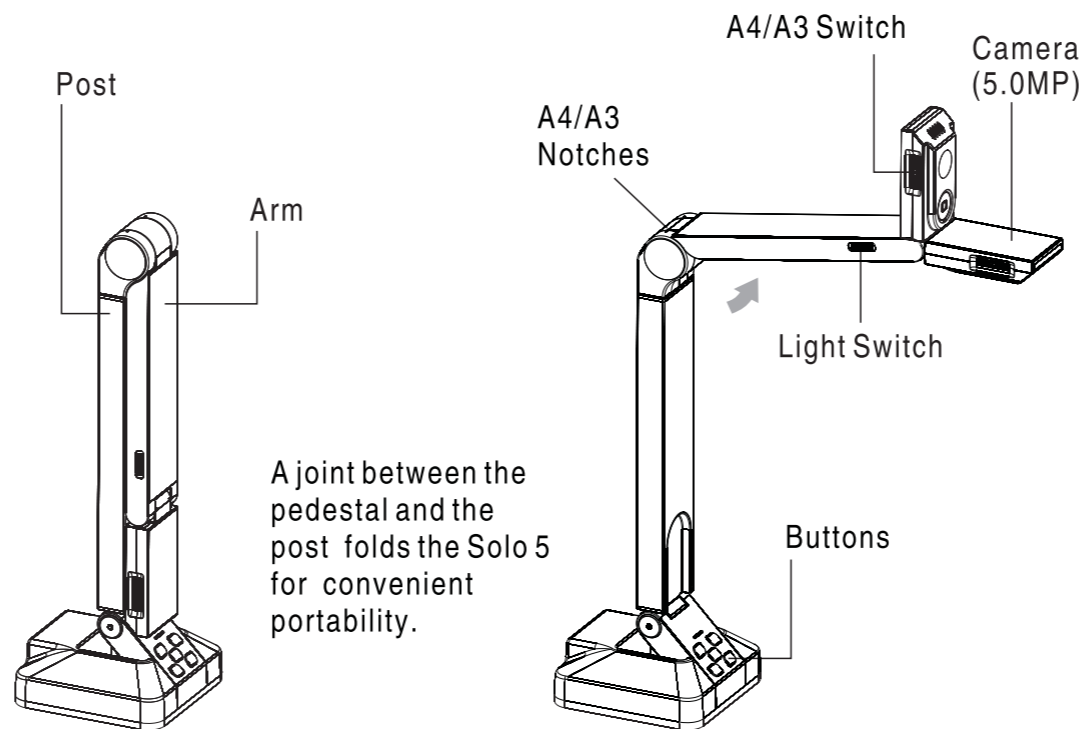


# HoverCam<sup>®</sup> SOLO 5

## Quick Start Guide

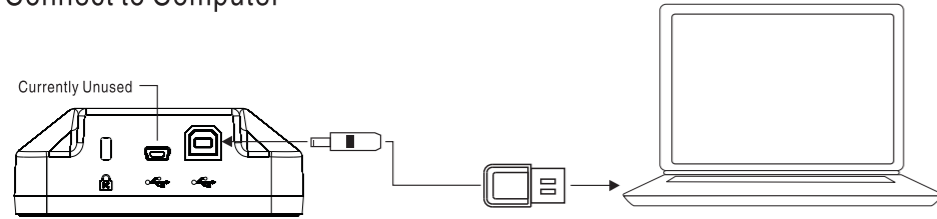


For further assistance, visit [www.thehovercam.com](http://www.thehovercam.com)  
or contact Tech Support at [support@thehovercam.com](mailto:support@thehovercam.com).



## Installation:

### 1. Connect to Computer



### 2. Follow Onscreen Instructions



The HoverCam comes with the software built into flash memory.

Upon plugging in the USB cable, an installation screen should appear.

If this screen does not appear, please find the "HoverCam Software" flash drive under "My Computer" on a PC, or locate the disk volume on a Mac.

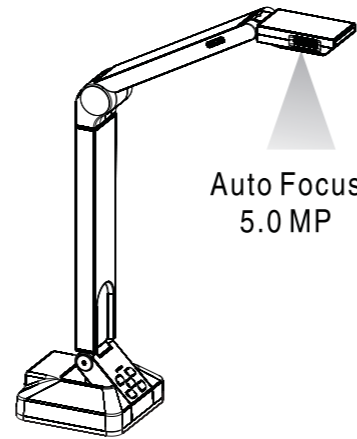
Then install HoverCam Flex.

Follow the on screen instructions.

### 3. Run HoverCam Flex.

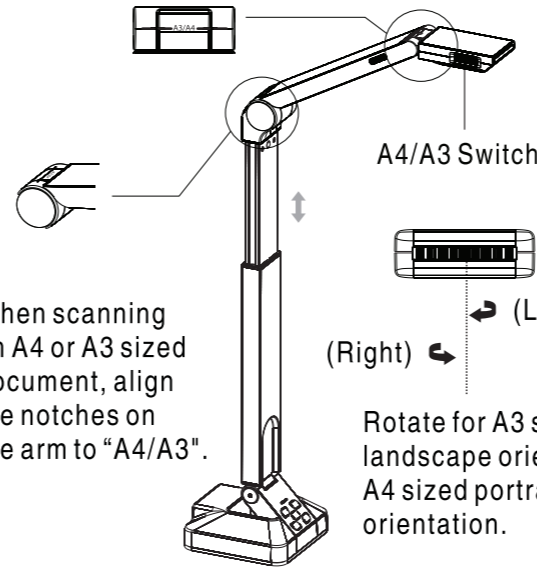


## Instructions:



Auto Focus  
5.0 MP

When scanning an A4 or A3 sized document, align the notches on the arm to "A4/A3".



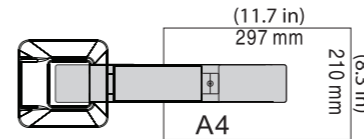
A4/A3 Switch

(Right) ←

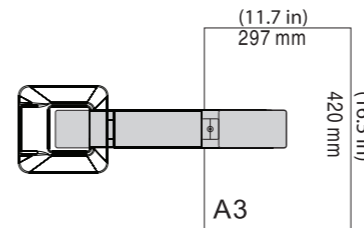
Rotate for A3 sized landscape orientation or A4 sized portrait orientation.

The Camera Switch can be set to A4 or A3.

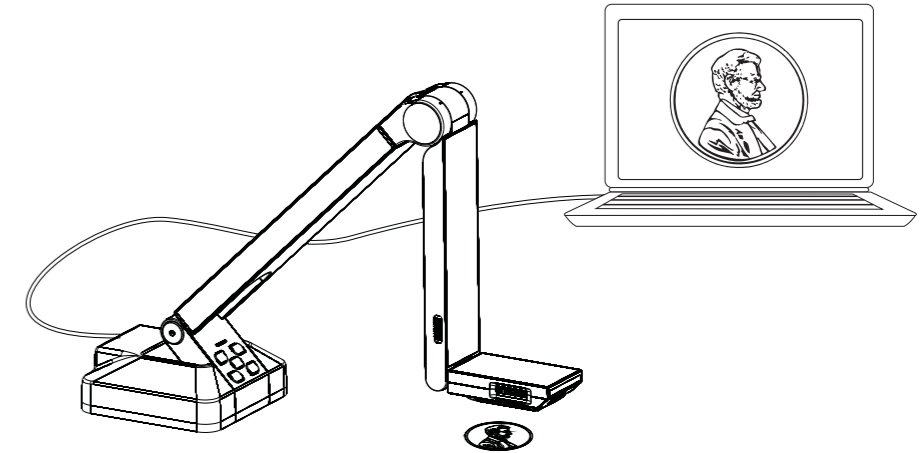
Align your document vertically under the camera for A4 sized documents.



Rotate your document horizontally when scanning A3 sized documents.



Lean the Solo 5 forward to capture closeup images.



## Controls

